

# ETP-MB-MER4050CMBG-02



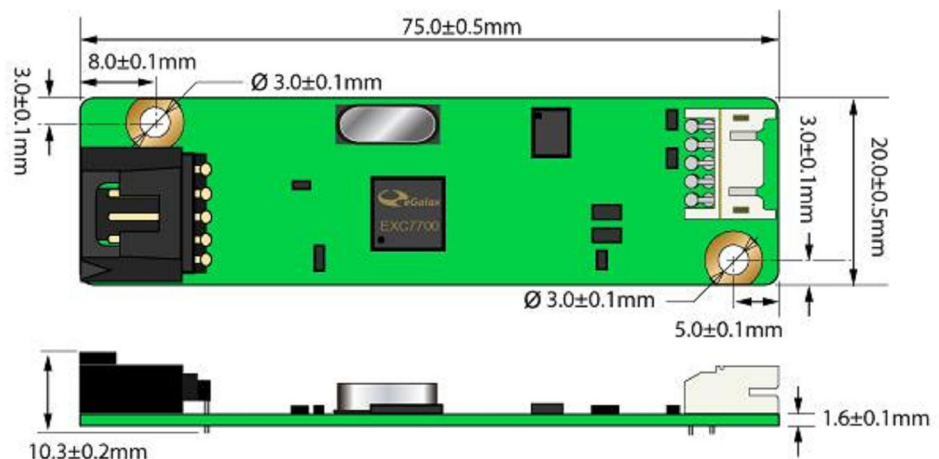
禾瑞亞科技股份有限公司  
eGalax\_eMPIA Technology Inc.

## 5-Wire USB & RS232 Touch Panel Controller

eGalax\_eMPIA launched touch control board to meet latest Restriction of Hazardous Substances (RoHS) Directive. This touch panel controller provides the optimistic performance of your analog resistive touch panels for 5 wire models. It communicates with PC system directly through USB and RS232 connector. You can see how superior the design is in sensitivity、accuracy and friendly operation. The touch panel driver emulates mouse left and right button function and supports operation systems as following.

OS	Version	Interfaces
<b>Windows</b>	Windows 7, Vista, XP, 2000, ME, 98 Windows CE (up to 7.0) Windows Embedded Windows XP Tablet PC edition	RS232/USB
<b>Windows</b>	Windows NT4, 95	RS232
<b>Linux</b>	Supports Kernel 2.4.x / 2.6.x / 3.x with XFree86 4.x / xorg (up to X server 1.11.x). Supports most of the Linux distribution 32/64 bit versions, Including: CentOS, Debian, Fedora, Gentoo, Mandrake(Mandriva), Moblin(Meego), Red Hat, Ubuntu, Slackware, SuSE(openSuSE) etc.	RS232/USB
	Android (up to 4.x)	RS232/USB
<b>DOS</b>	DOS 6.22	RS232
<b>Mac</b>	Mac OS9, Mac OS X (Power PC, Intel CPU)	USB
<b>QNX</b>	QNX RTOS v6.3	RS232/USB

### Controller:



# ETP-MB-MER4050CMBG-02

## Specifications:

<b>5wire Type Controller</b>	
Circuit Board Dimension	20mm x 75mm (0.79inches x 2.95inches)
Power Requirements	D.C.+5V (100mA typical,50mV peak to peak maximum ripple and noise)
Operating Temperature	-25 to 85 °C
Storage Temperature	-25 to 85 °C
Relative Humidity	95% at 60 °C, RH Non-condensing
Interface	Bi-directional RS-232 serial communication USB: 1.1 Full Speed
Protocol	No parity,8 data bits,1 stop bit,9600 baud (N,8,1,9600)
Resolution	2048×2048 resolution
Report rate	RS232: Max. 180 points/sec USB: Max. 200 points/sec
Response time	Max. 20 ms
Attached Cable	RS232: 180cm shielded cable with 9-pin D-sub connector USB: 180cm shielded cable with USB-A connector
Regulatory Approvals	FCC-B , CE
EMI	Unaffected by environmental EMI
Panel resistance	5 wire resistive model: 50 ~ 200 ohm (Pin to pin on same layer, Touch Resistance under 3k ohm)
Green Product	RoHS Compliant
MTBF	200,000 hrs

## Product Package:

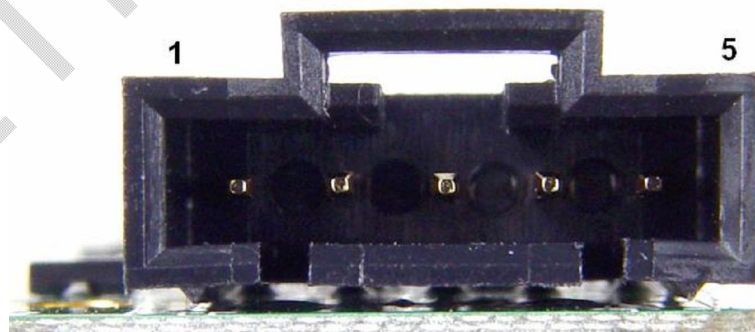
- (1) ETP-MB-MER4050CMBG ( 5 wire control board)
- (2) ETP-CB-SXC00 (Y Cable)
- (3) ETP-CB-SXU00 (USB cable) or  
ETP-CB-SXR00 (RS232 cable)
- (4) ETP-CB-5XN00 (5 pin Flat cable)

# ETP-MB-MER4050CMBG-02

*Controller Panel Pin Assignment:*

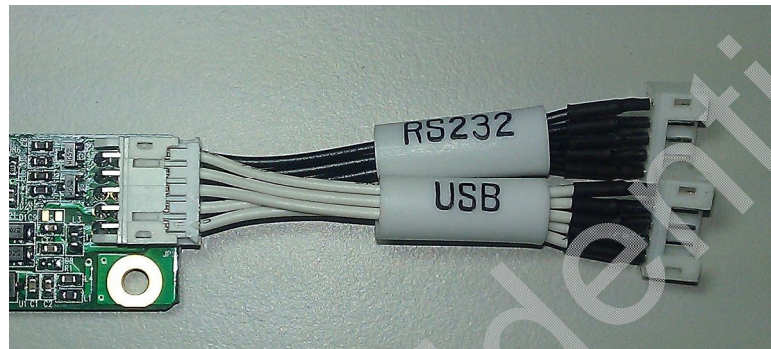
For 5-Wire Resistive Touch Panel

3M type Pin-Out

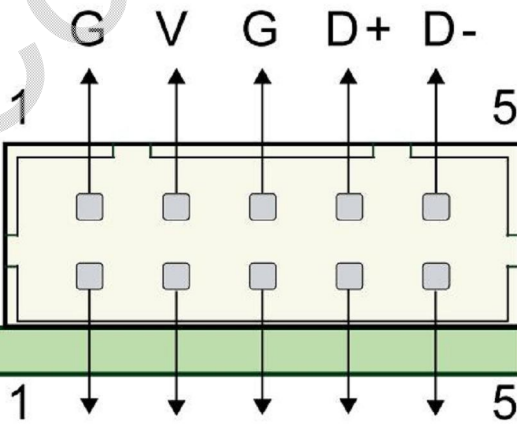


# ETP-MB-MER4050CMBG-02

## *Controller Wafer Pin Assignment:*



### *USB Interface*



### *RS232 Interface*